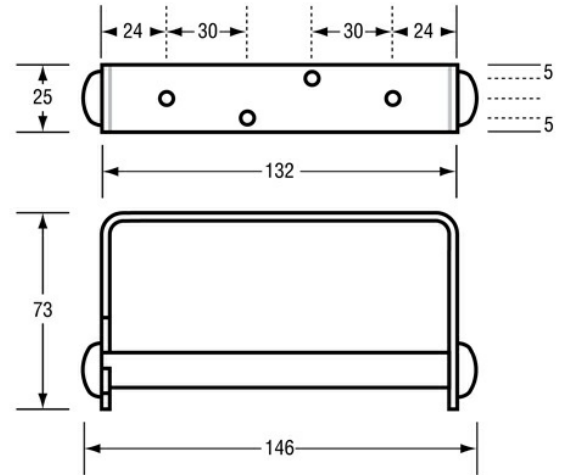


113_TRH_SS

Single Toilet Roll Holder in Satin Stainless Steel

Dimensions: 25mmH x 146mmW x 73mmD



SPECIFICATION

Material	#304 Grade Stainless Steel
Finish	Satin Stainless Steel
Mounting	Surface Mount Visible Fix
Capacity	Holds One Standard Toilet Roll



This unit is accessible compliant when installed in accordance with AS1428.1. guidelines.



For more in depth information, visit the product online: https://metlam.com.au/category/toilet-roll-dispensers/113_TRH_SS