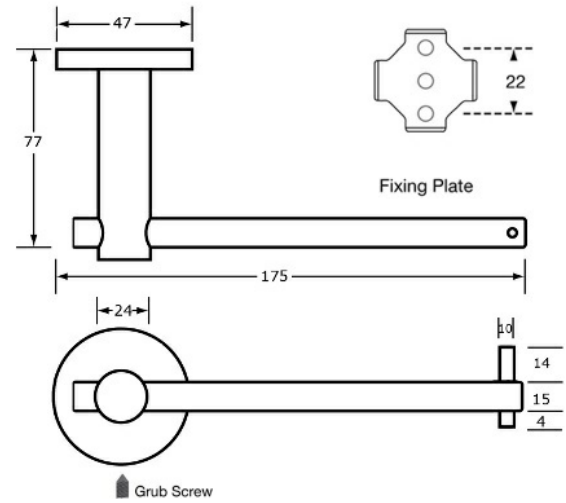


700_TRH_ANMB

Single Toilet Roll Holder in Antimicrobial

Dimensions: 47mmH x 175mmW x 77mmD



SPECIFICATION

Material	#304 Grade Stainless Steel, 15mmØ Solid Horizontal Bar
Finish	Antimicrobial Coating
Mounting	Surface Mount Security Concealed Fix
Capacity	Holds One Standard Toilet Roll

NOTES

- For Metlam Australia Care and Maintenance Guidelines, Installation Instructions, Product Specifications, and Warranty Details, please refer to the Product User Guide tab.



This unit is accessible compliant when installed in accordance with AS1428.1. guidelines.



For more in depth information, visit the product online: https://metlam.com.au/category/toilet-roll-dispensers/700_TRH_ANMB