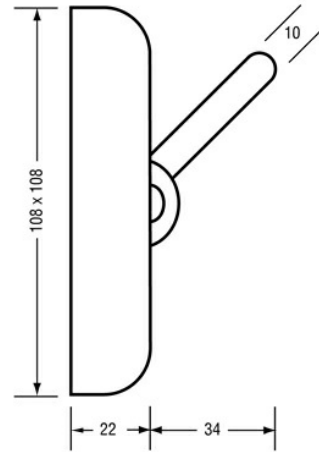


ML2122

Collapsible Square Clothes Hook in Satin Stainless Steel

Dimensions: 108mmH x 108mmW x 56mmD



SPECIFICATION

Material	#304 Grade Stainless Steel
Finish	Satin Stainless Steel
Mounting	Concealed Screw Fix via rear mounting points Uses 1/4 inch all thread fixings

NOTES

- For Metlam Australia Care and Maintenance Guidelines, Installation Instructions, Product Specifications, and Warranty Details, please refer to the Product User Guide tab.

 This unit is accessible compliant when installed in accordance with AS1428.1. guidelines.

 For more in depth information, visit the product online: <https://metlam.com.au/category/hooks/ML2122>