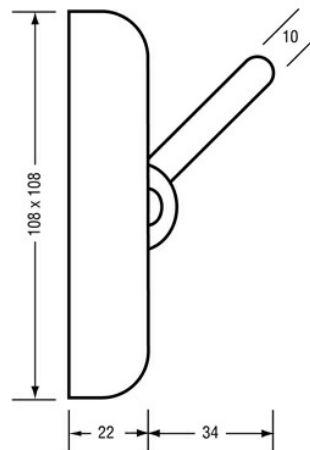


ML2123

Collapsible Square Clothes Hook in Satin Stainless Steel

Dimensions: 108mmH x 108mmW x 56mmD

**SPECIFICATION**

| | |
|----------|---|
| Material | #304 Grade Stainless Steel |
| Finish | Satin Stainless Steel |
| Mounting | Visible Screw Fix via front mounting points |

NOTES

- For Metlam Australia Care and Maintenance Guidelines, Installation Instructions, Product Specifications, and Warranty Details, please refer to the Product User Guide tab.

 This unit is accessible compliant when installed in accordance with AS1428.1. guidelines.

 For more in depth information, visit the product online: <https://metlam.com.au/category/hooks/ML2123>