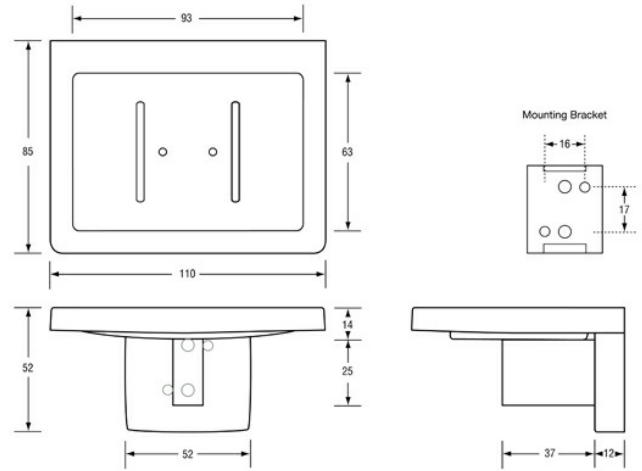


## ML231S

Soap Dish with Drain in Satin Stainless Steel

Dimensions: 52mmH x 110mmW x 85mmD



## SPECIFICATION

Material	#304 Grade Stainless Steel
Finish	Satin Stainless Steel

## NOTES

- For Metlam Australia Care and Maintenance Guidelines, Installation Instructions, Product Specifications, and Warranty Details, please refer to the Product User Guide Tab.



This unit is accessible compliant when installed in accordance with AS1428.1. guidelines.



For more in depth information, visit the product online: <https://metlam.com.au/category/soap-dish-shampoo-holders/ML231S>