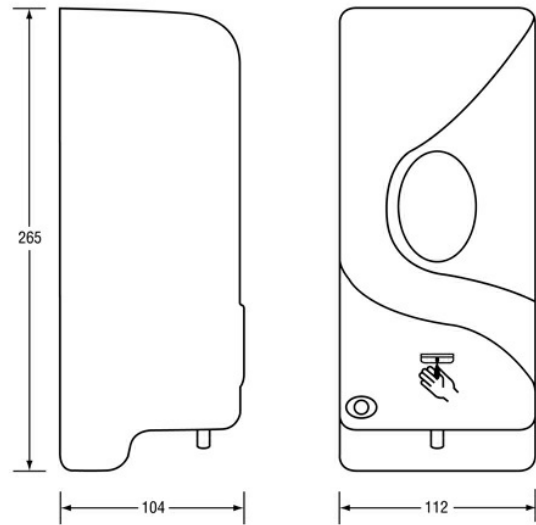


ML_950DA_WHT

Auto Soap Dispenser in ABS White

Dimensions: 265mmH x 112mmW x 104mmD



SPECIFICATION

Material	White ABS Body
Mounting	Surface Mount Concealed Fix
Features	950ml Capacity Removable Soap Reservoir Provides One Drop Per Cycle (1~1.5ml) Auto Operation: Infrared Sensor Operated/Powered By Three C Batteries (Not Included), Provides Approx 100,000 Drops/One Year Usage Light Indication: Solid Blue for Dispensing and Flashing Blue for Low Battery Impact-Resistant Liquid Level Indicator Lockable (Key Provided)
Consumable Advice	A Commercial Grade Liquid Soap with a Viscosity range of 1-3000cps (centipoises) and a PH level between 6.50 – 9.00 should be used in this dispenser to ensure the dispenser performs at an optimal level. * Any liquids not within these ranges may cause the unit to operate at a sub-optimal level, fail or damage the unit and could void the Metlam Australia product warranty.
Metlam Australia Consumable	Liquid Hand Soap Aloe Vera: ML_HLS

NOTES

- For Metlam Australia Care and Maintenance Guidelines, Installation Instructions, Product Specifications, and Warranty Details, please refer to the Product User Guide Tab.



This unit is accessible compliant when installed in accordance with AS1428.1. guidelines.



For more in depth information, visit the product online: https://metlam.com.au/category/soap-dispensers/ML_950DA_WHT

The photographs and line drawings of the products presented above are representational only. Metlam Australia Pty Ltd reserves the right to, and from time to time, make changes and improvements to design and dimensions.