

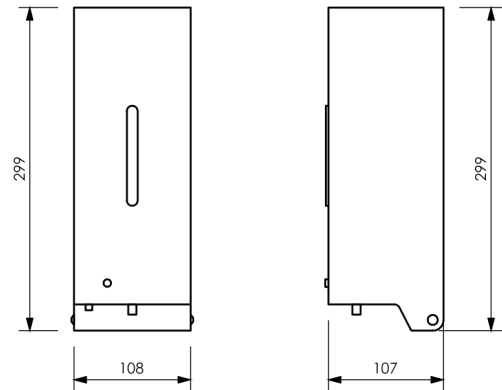
ML_MSD_SQSOAP_SS

Auto Square Soap Dispenser in Satin Stainless Steel

Dimensions: 299mmH x 108mmW x 107mmD



ML_MSD_SQSOAP_SS



SPECIFICATION

Material	#304 Grade Stainless Steel Case
Finish	Satin Stainless Steel
Mounting	Surface Mount Concealed Fix
Features	1000ml Capacity Removable Soap Reservoir Provides one drop (0.8~ 1.1mL) per cycle Dual Auto Operation: Features an infrared sensor for touch-free use. Can be powered by either four AA batteries (not included), offering approximately 25,000 cycles or up to one year of operation, or via the included AC adapter for continuous use. LED Standby and Low Battery Light Liquid Level Indicator Can be used with select Medical Grade Soap Vandal Resistant Security Lock (key provided)
Consumable Advice	A Commercial Grade Liquid Soap with a Viscosity range of 1-3000cps (centipoises) and a PH level between 6.50 – 9.00 should be used in this dispenser to ensure the dispenser performs at an optimal level. * Any liquids not within these ranges may cause the unit to operate at a sub-optimal level, fail or damage the unit and could void the Metlam Australia product warranty.
Metlam Australia Consumable	Hand Liquid Soap Aloe Vera: ML_HLS

NOTES

- For Metlam Australia Care and Maintenance Guidelines, Installation Instructions, Product Specifications, and Warranty Details, please refer to the Product User Guide Tab.



This unit is accessible compliant when installed in accordance with AS1428.1 guidelines.



For more in depth information, visit the product online: https://metlam.com.au/category/soap-dispensers/ML_MSD_SQSOAP_SS

The photographs and line drawings of the products presented above are representational only. Metlam Australia Pty Ltd reserves the right to, and from time to time, make changes and improvements to design and dimensions.