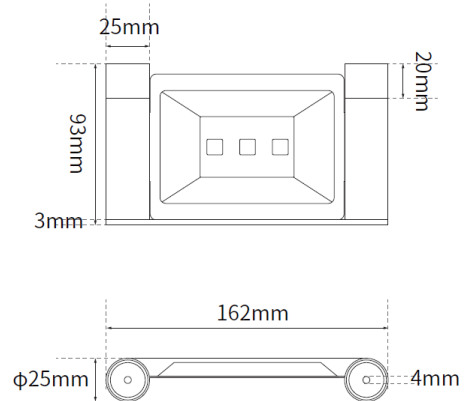


ML_T81203_GRAPHITE

Parker Soap Dish in Graphite

Dimensions: 25mmH x 162mmW x 93mmD



SPECIFICATION

Material	#304 Grade Stainless Steel
Finish	Graphite
Mounting	Surface Mount Concealed Fix



For more in depth information, visit the product online: https://metlam.com.au/category/soap-dish-shampoo-holders/ML_T81203_GRAPHITE