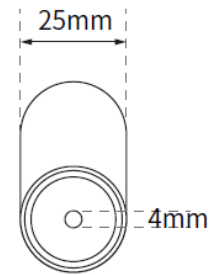
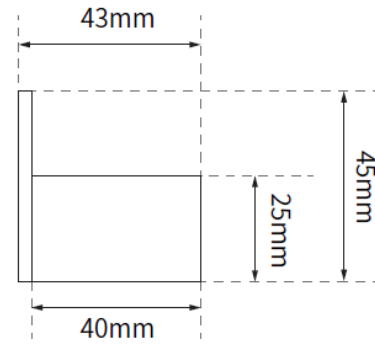
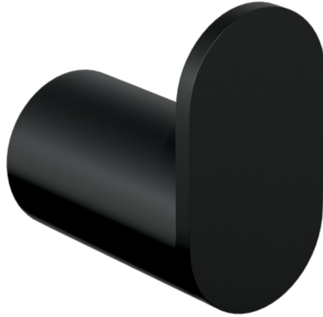


ML_T81207_DESIGNER

Parker Robe Hook in Designer Black

Dimensions: 45mmH x 25mmW x 43mmD



SPECIFICATION

Material	#304 Grade Stainless Steel
Finish	Designer Black
Mounting	Surface Mount Concealed Fix

NOTES

- For Metlam Australia Care and Maintenance Guidelines, Installation Instructions, Product Specifications, and Warranty Details, please refer to the Product User Guide tab.



This unit is accessible compliant when installed in accordance with AS1428.1. guidelines.



For more in depth information, visit the product online: https://metlam.com.au/category/hooks/ML_T81207_DESIGNER