

PAPER TOWEL / COMBINATION UNITS



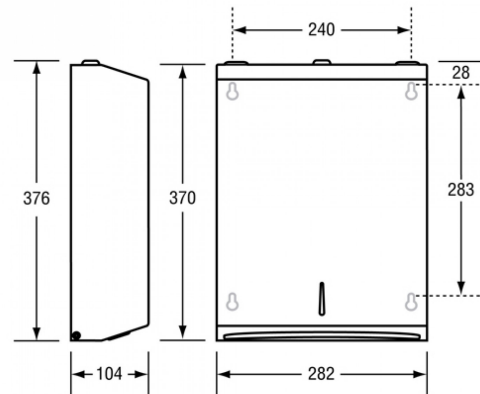
ML725SS_MK2

Paper Towel Dispenser in Satin Stainless Steel

Specification

Material	#304 Stainless Steel
Finish	Satin Stainless Steel
Specify	ML725SS_MK2
Mounting	Surface Mount Concealed Fix
Dimensions	376mmH x 282mmW x 104mmD
Features	Unit fitted with tumbler lock Front View Paper Indicator Unit is supplied with 2 keys
Consumable Advice	Requires standard size commercial slim paper towel
Metlam Australia Consumable	Slim Paper Towel - ML_PT_SLIM
Also Available	ML725 DESIGNER : Designer Matte Black ML725W MK2 : White
Note	This unit is accessible compliant when installed in accordance with AS1428.1. guidelines.

For installation instructions download the Metlam Australia App



Downloads & Resources

- Care & Maintenance
- Installation instructions
- Auto cad
- Archi cad
- Revit
- Google sketch up
- Associated Videos
- Stainless Steel Cleaning & Maintenance

The photographs and line drawings of the products presented above are representational only. Metlam Australia Pty Ltd reserves the right to, and from time to time, make changes and improvements in design and dimensions.