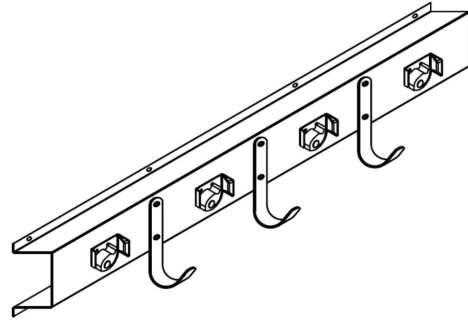


## ML983\_4

Mop & Broom Holder with Hooks in Satin Stainless Steel

**Dimensions:** 127mmH x 914mmW x 128mmD



### SPECIFICATION

Material	#304 Grade Stainless Steel
Finish	Satin Stainless Steel
Mounting Holes	8

### NOTES

- For Metlam Australia Care and Maintenance Guidelines, Installation Instructions, Product Specifications, and Warranty Details, please refer to the Product User Guide tab.

 For more in depth information, visit the product online:  
[https://metlam.com.au/category/ancillary-washroom-products/ML983\\_4](https://metlam.com.au/category/ancillary-washroom-products/ML983_4)