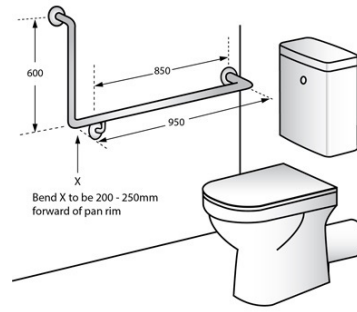


## MLR104X\_SS

90° Flush Mount Side Wall RH Grab Rail in Satin Stainless Steel

**Dimensions:** 950mm x 600mm



### SPECIFICATION

<b>Material</b>	#304 Grade Stainless Steel - 32mmØ
<b>Finish</b>	Satin Stainless Steel
<b>Mounting</b>	Concealed Fix - 78mmØ Mount Stand-off 55mm +/-

### NOTES

- For Metlam Australia Care and Maintenance Guidelines, Installation Instructions, Product Specifications, and Warranty Details, please refer to the Product User Guide Tab.



This unit is accessible compliant when installed in accordance with AS1428.1 guidelines.



For more in depth information, visit the product online:

[https://metlam.com.au/category/ambulant-and-accessible-compliant-grab-rail/MLR104X\\_SS](https://metlam.com.au/category/ambulant-and-accessible-compliant-grab-rail/MLR104X_SS)